



QUADRALUMEN
LED by life

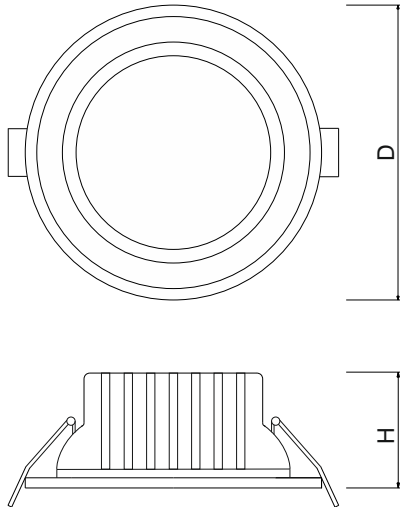
Product TDS

Model No.: QL3005SQ (FIXED)

Description: QL LED SPOT LIGHT

Trademark: BEAMER™

Product Dimensions



Product Image



Cat. Ref.	Input Voltage (AC)	System Current (Amps)	System Wattage (Watts)	Power Factor (PF)	THD	Surge Protection
QL3005SQ012W4DL	90-275	0.026	12W	> 0.90	<20%	Driver: 2.5Kv

LED Type	LED Make	Secondary Optics	CRI	Optics Efficacy
COB	Bridge lux/ Lumiled	Aluminium Anodised Reflector	> 80	>90

Main Housing	Mounting Type	Driver Provision	Powder Coating	IP Protection-Complete Luminaire	DIA (MM)	Height (MM)	CUT OUT
Al ,High Pressure Die Casting	Surface Type	Provided Externally	White	IP20	95x95	72	77x77

Area of applications-

Offices, Hotel & Resorts, Shopping Arcades, Modern Retail, Retail Shops, Café & Restaurants, Theatres, Museum.



- BIS approved Drivers
- Under voltage protection, Over voltage protection
- Wide operating voltage range (90-300V AC)
- Over temperature protection
- Short circuit protection
- 2.5kV Surge Protection up to 48W | 4-10kV for 60W & above