



QUADRALUMEN
LED by life

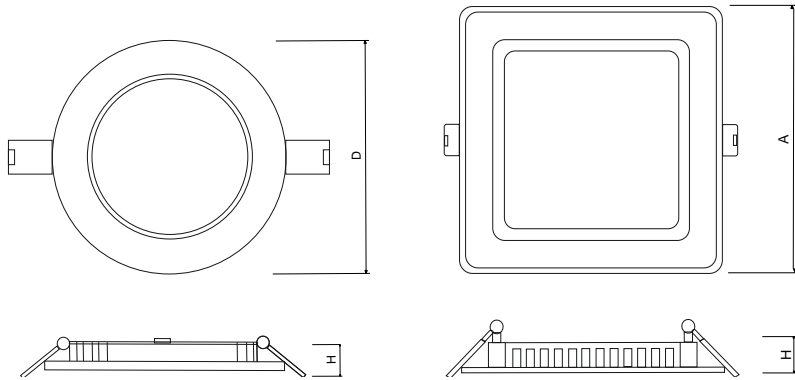
Product TDS

Model No.: QL9001RD | QL9001SQ

Description: QL LED Panel Lights

Trademark: Intersky™

Product Dimensions



Product Image



System Wattage (Watts)	Input Voltage (AC)	Power Factor (PF)	THD	Driver Surge Protection	CCT Available	Outer-Dia (mm)	Cut-out (mm)	Height (mm)
6w 9w 12w 15w 18w 24w	90-300	> 0.90	<15%	2.5Kv	2700k 4000k 5700k	120 145 174 200 225 300	105 133 158 185 205 278	10 10 10 10 10 10

Lumen Output: 65-95 Lumens/Watt

LED Type	LED Make	Secondary Optics	CRI	Optics Efficacy	Main Housing	IP Protection-Complete Luminaire
Discrete	Everlight/Edison	Acrylic diffuser	> 80	>80	AL. High Pressure Die Casting	IP20

Mounting Type	Driver Provision	Powder Coating
Recess Type	Provided Externally	White



- BIS approved Drivers
- Under voltage protection, Over voltage protection
- Wide operating voltage range (90-300V AC)
- Over temperature protection
- Short circuit protection
- 2.5kV Surge Protection up to 48W | 4-10kV for 60W & above

Area of applications-

Residential | Factories | Business Centres | Offices | School & College | Café & Restaurants | Shopping Arcades | Hotel & Resorts | Theatres | Retail Shops | Modern Retail | Hospitals | IT Centres | Laboratories